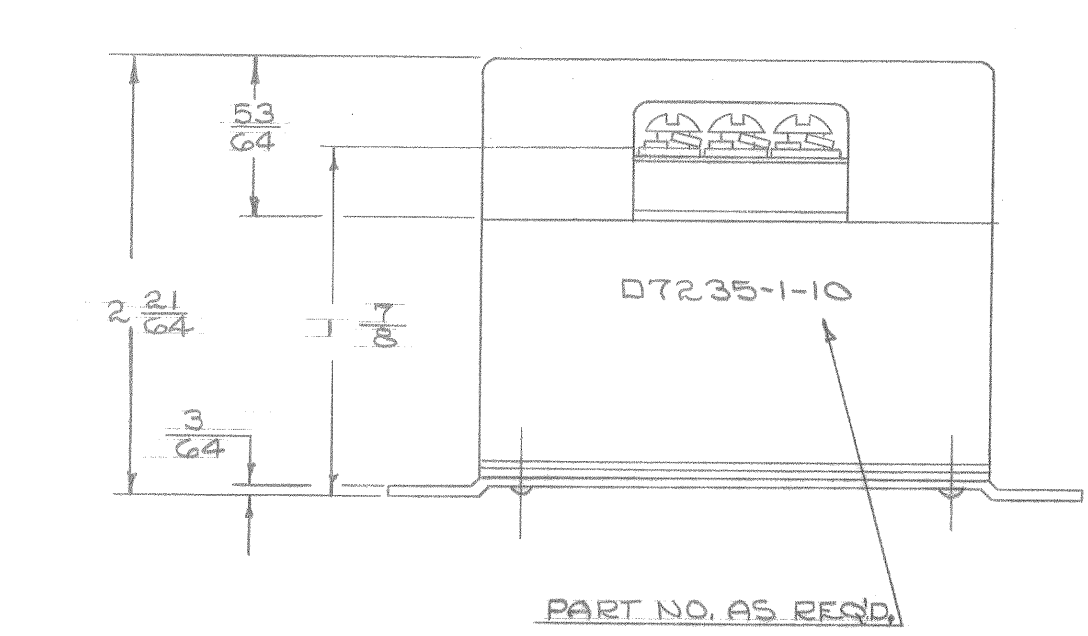
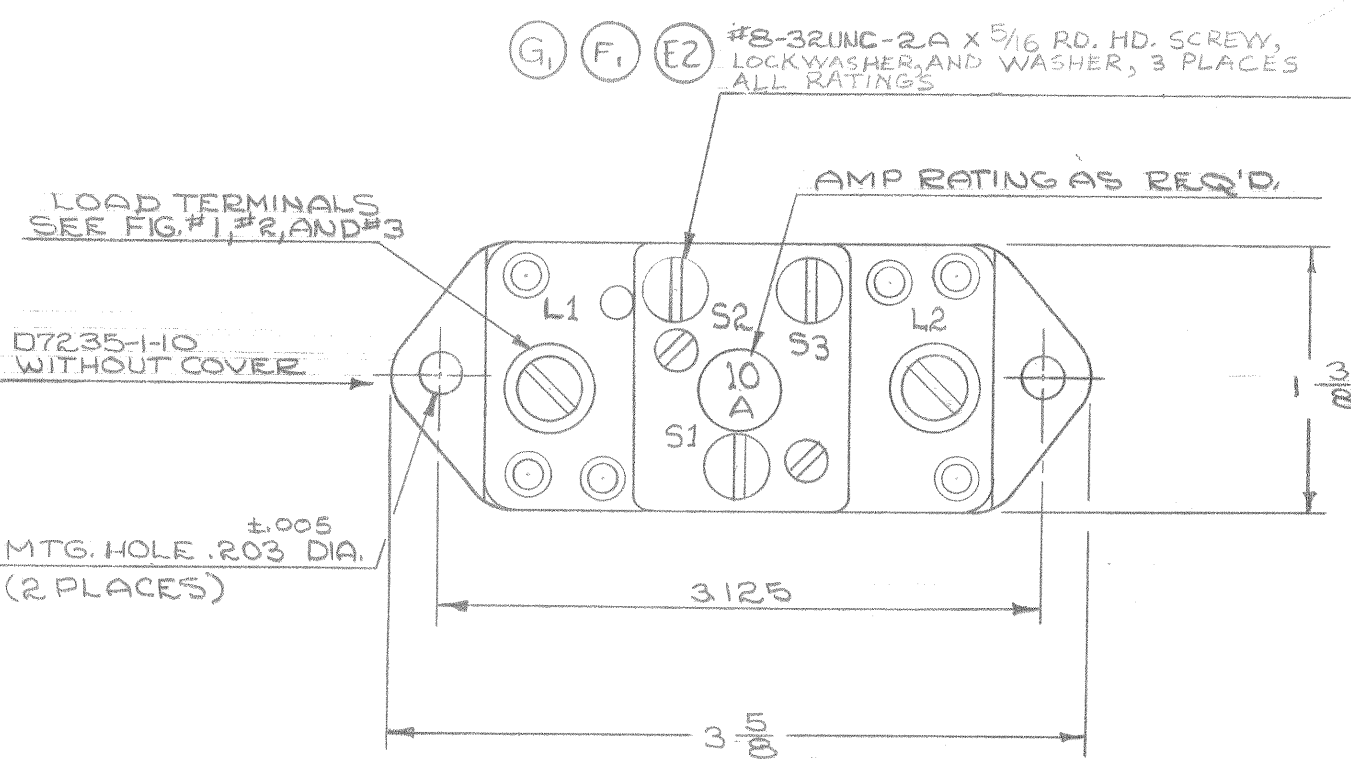
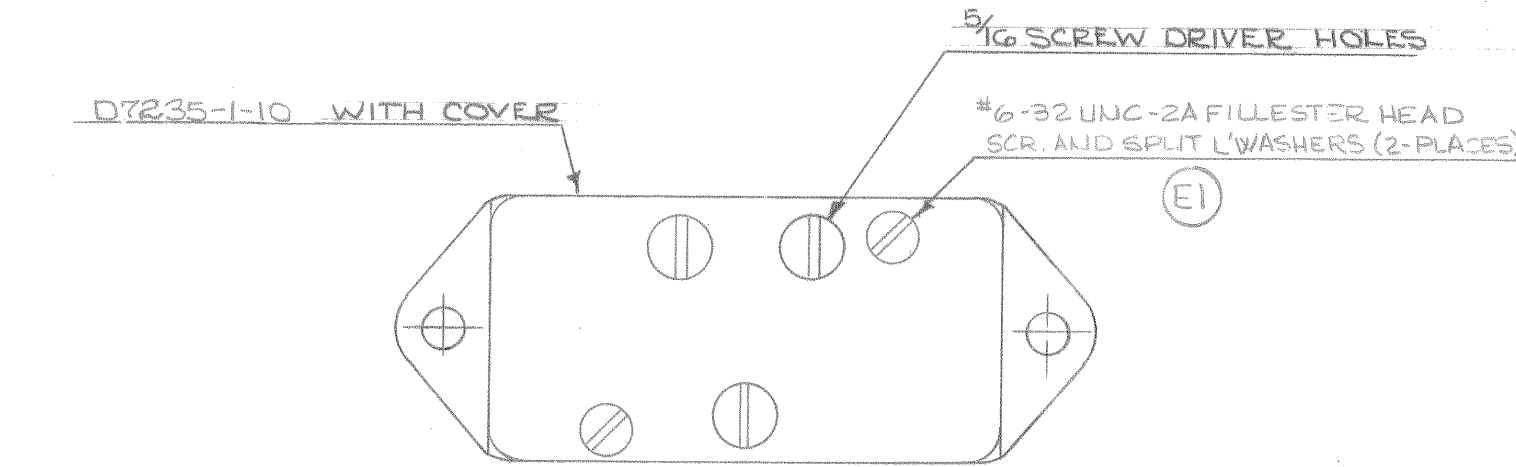
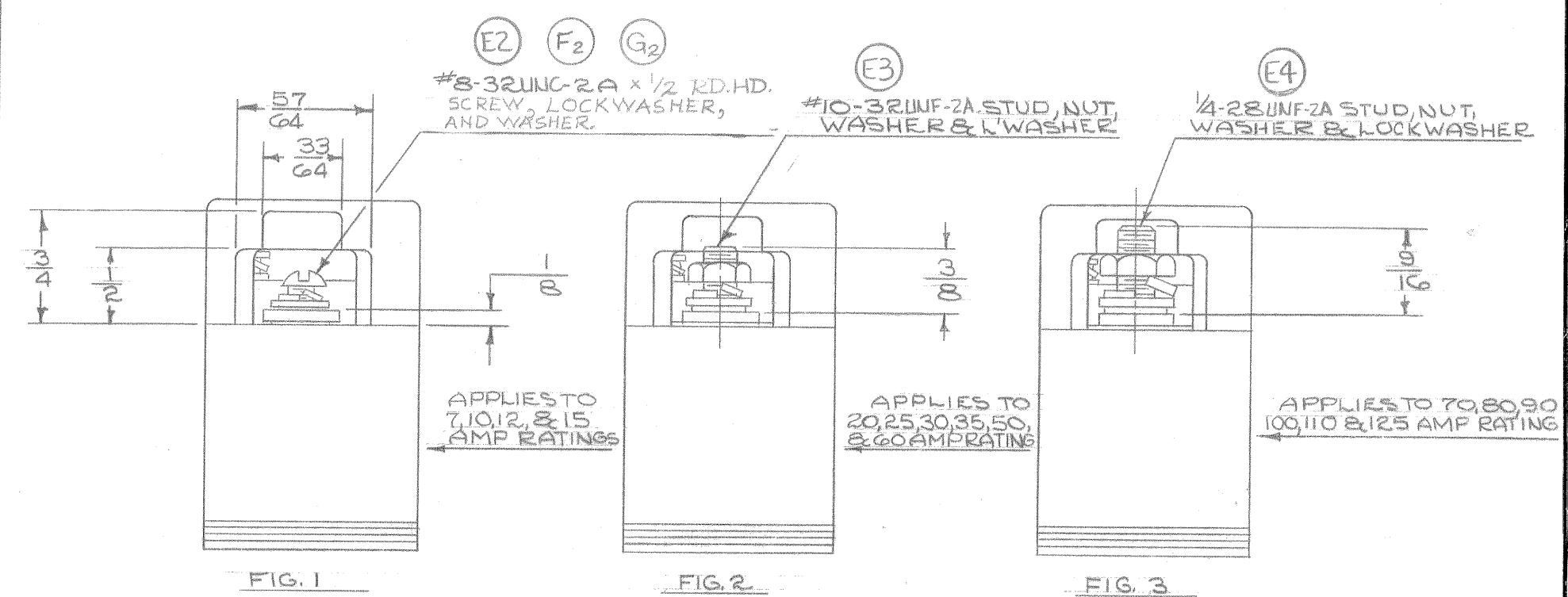


| REVISIONS | | | |
|-----------|--|---------|----------|
| SYMBOL | DESCRIPTION | DATE | APPROVAL |
| A | SEE C.N. 4-19-60 | 4-19-60 | RP D.A. |
| B2 | WAS "SI & S2" C.R. 4491 H.W. | 2-16-61 | D.A. |
| C | (1) ON-1 WIRING DIAGRAM WAS "SK298 SH" (2) ON-1 WIRING DIAGRAM WAS "SK298 SH" #2 C.R. 7995 | 10-3-62 | RLF |
| D | UNDER DESIGNED FOR USE/MAN. CONT. "PT. NO. DC -1 WAS "D6753-1" CR56112 | 11-7-74 | R.L.R. |
| E | SEE DCN CR. 90138 TB | 11-1-83 | RLF |
| F2 | SEE DC.N. CR152336 T.B. | 9-28-88 | HGO |
| G2 | SEE DC.N. CR153846 EJ | 6-2-89 | HGO |

DWG. NO. **D7235**
 DWG. SIZE **B**



| PART NO. D7235- | DESIGNED FOR USE WITH MANUAL CONTROL | THIS UNIT IS EXPLOSION PROOF PER SPEC | INTERNAL RESISTANCE BETWEEN S1 & S3 | CONTACT RATING S1 TO S2 | CONTINUOUS CURRENT CAPACITY S1 TO S3 | SINGLE PHASE WIRING DIAGRAM | THREE PHASE WIRING DIAGRAM | APPROX. TOTAL WEIGHT |
|-----------------|--------------------------------------|---------------------------------------|-------------------------------------|---------------------------------|--------------------------------------|-----------------------------|----------------------------|----------------------|
| 1-(AMP RATING) | 3MC1-3-2 | MIL-E-5272 | 0.75 Ω (R. ON SK 298 SH #2) | 10 AMP. 28VDC 10 AMP. 110VAC | 3 AMPS | 298 SH #1 | 298 SH #2 | 9 OZ. |
| 2-(AMP RATING) | — | MIL-E-5272 | 0 Ω | 10 AMP. 28VDC 10 AMP. 110VAC | 10 AMPS | — | — | 9 OZ. |



| | | |
|--|--|---------------------------------|
| UNLESS OTHERWISE SPECIFIED DIMENSIONS ARE IN INCHES TOLERANCES ON FRACTIONS DECIMALS ANGLES ± 1/32 ± .015 — | TITLE D7235 TYPE KLIXON OVERLOAD SENSING CONTROL ENVELOPE DWG. | BY R. Puccini 4-20-60 |
| SCALE FULL | METALS & CONTROLS, a division of Texas Instruments Incorporated., Attleboro, Mass. | CH. |
| | | APP. D. APPLETON 4-23-60 |
| | | DWG. NO. D7235 |

KLIXON SUPERSEDES D7235 3-13-59 REV. 1ST ISS.