

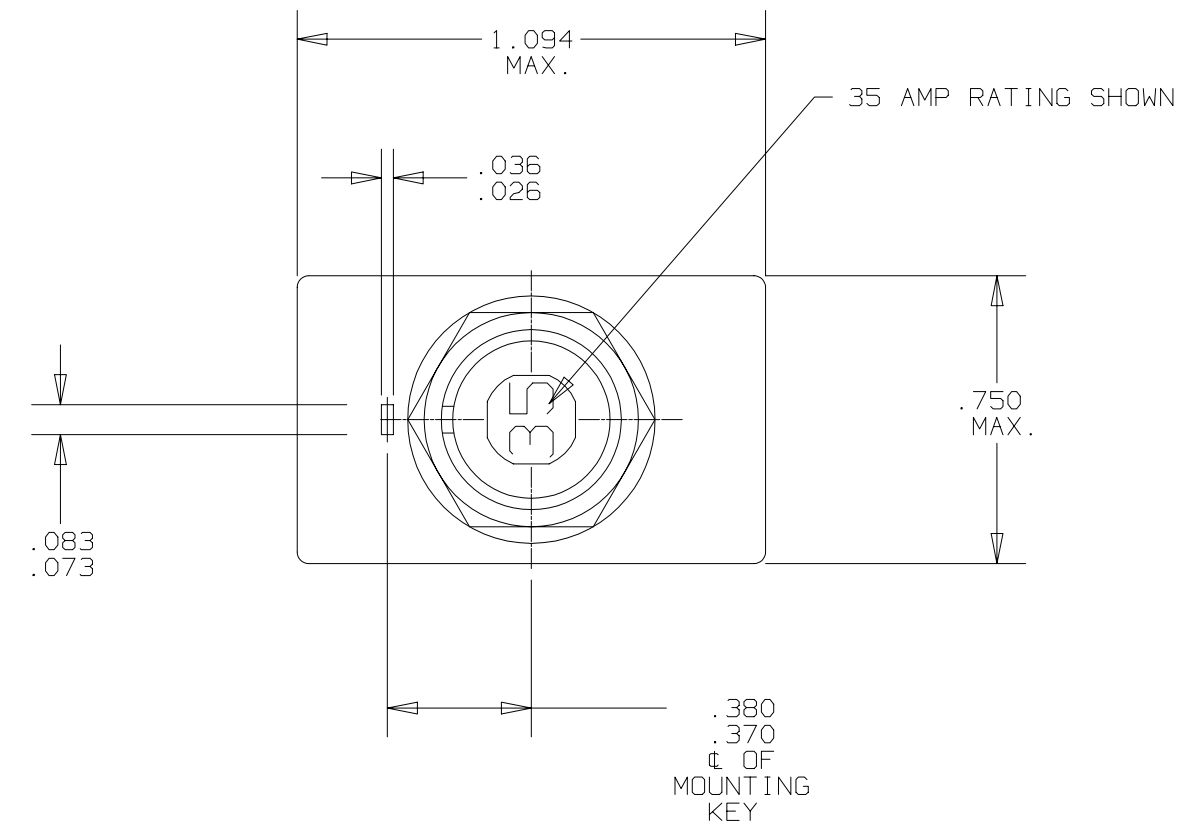
4

3

2

1

REVISIONS					
ZONE	LTR	DESCRIPTION	1294	DATE	APPROVED
	C	UPDATED PER MARKUP.	ECN0025542 PAF	1-3-06	DM



DETAIL PERFORMANCE PER MIC-C-5809 + MS25244

OVERLOAD CYCLING	-----	100 CYCLES AT 200% RATED CURRENT
VIBRATION	-----	10 G'S
MECHANICAL SHOCK	-----	30 G'S PEAK
ACCELERATION	-----	10 G'S
SAND & DUST	-----	12 HOURS
CORROSION	-----	SALT SPRAY 96 HOURS
MOISTURE RESISTANCE	-----	10 DAYS
EXPLOSION PROOF	-----	WHILE INTERRUPTING RUPTURE CURRENTS

ENDURANCE:	120 VAC	400 HZ INDUCTIVE	2,500 CYCLES
	30 VDC	400 HZ RESISTIVE	5,000 CYCLES
	MECHANICAL	NO LOAD	5,000 CYCLES

CALIBRATION:

15 AMP THRU 35 AMP	MIN. ULT. TRIP	MAX. ULT. TRIP	200%	400%	600%
+25°C. (+77°F.)	115%	138%	15 - 55 SEC.	2 - 7 SEC.	1.0 - 3.5 SEC.
-40°C. (-40°F.)	148%	178%			
+71°C. (+160°F.)	70%	114%			

RUPTURE:

5 AMP THRU 35 AMP	120 VAC 400 HZ	3500 AMPERES
5 AMP THRU 35 AMP	30 VDC	6000 AMPERES

MAXIMUM OPERATING FORCES:

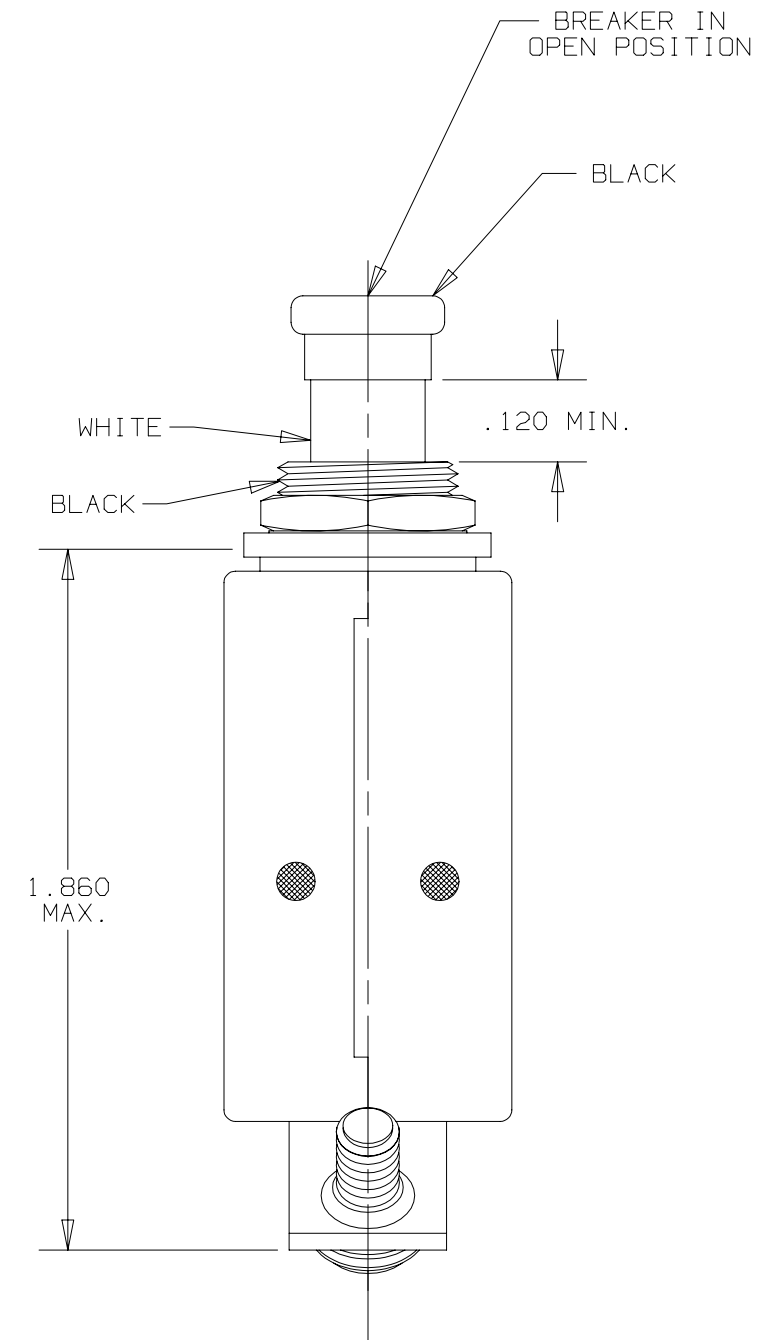
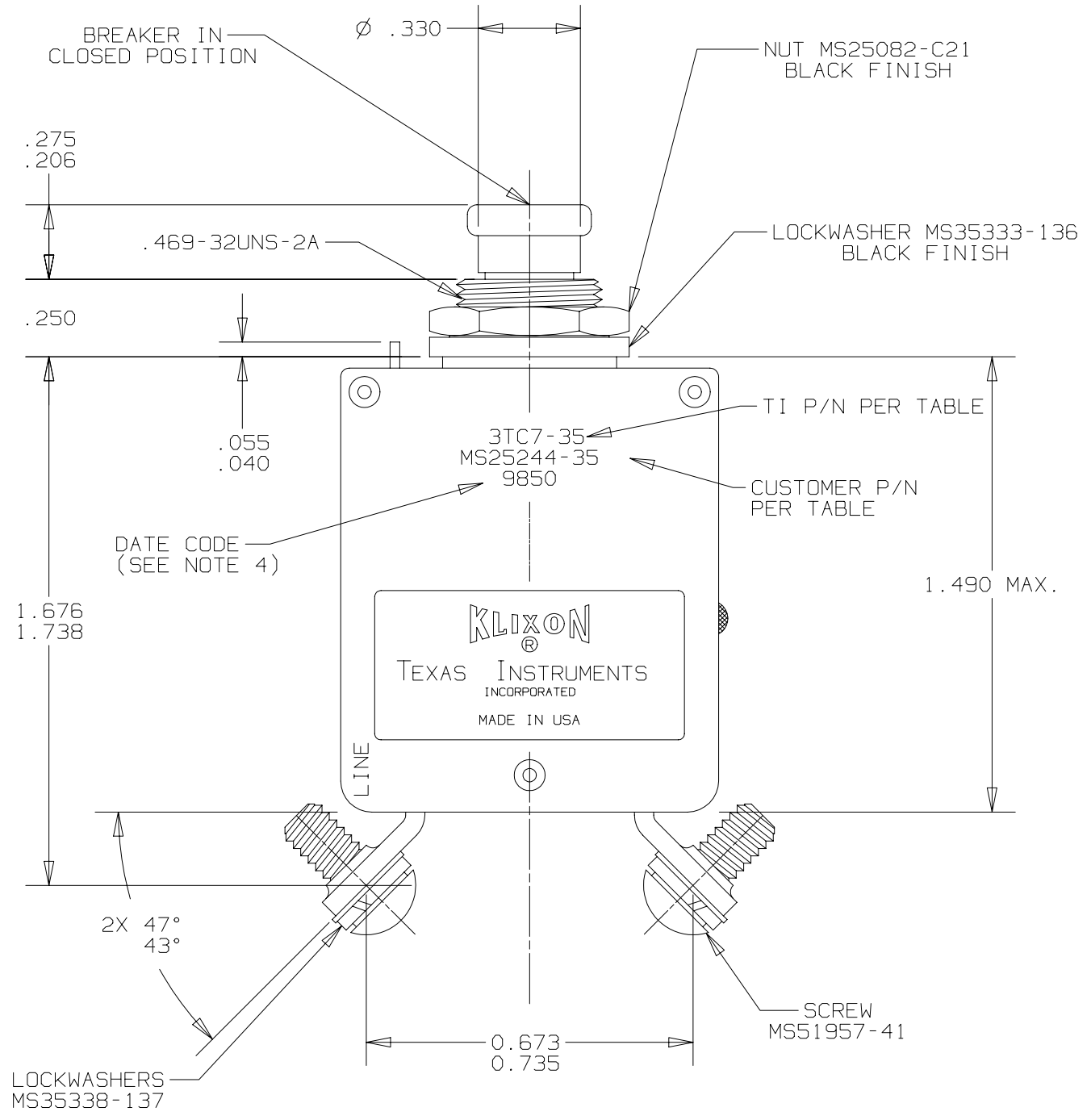
PULL OUT	-----	1.2-8 LBS.
RESET	-----	1.8-12 LBS.

OPERATING ALTITUDE:

65,000 FT. (20,000m)

VOLTAGE DROP:

5 THRU 35 AMP ----- 0.25 VOLTS MAX.



TI P/N	CUSTOMER P/N	AMP RATING
3TC7-5	MS25244-5	5
3TC7-7 1/2	MS25244-7 1/2	7 1/2
3TC7-10	MS25244-10	10
3TC7-15	MS25244-15	15
3TC7-20	MS25244-20	20
3TC7-25	MS25244-25	25
3TC7-30	MS25244-30	30
3TC7-35	MS25244-35	35

- NOTES:
- EPOXY SURFACES ARE NON-DIMENSIONED. ENVELOPE DRAWING DIMENSIONS DO NOT APPLY TO THESE PROJECTED EPOXY SURFACES.
 - TERMINAL AND MOUNTING HARDWARE MAY BE PACKAGED RATHER THAN INSTALLED.
 - COUNTRY OF ORIGIN IS SHOWN FOR ILLUSTRATION PURPOSES ONLY. COUNTRY OF ORIGIN TO BE IDENTIFIED AS REQUIRED.
 - DATE CODE PER 10588-285.
 - ALL MARKINGS TO BE MADE IN APPROXIMATE POSITIONS SHOWN, WITH BLACK INK PER 12506-70; 3/32 INCH HIGH CHARACTERS.

UNLESS OTHERWISE SPECIFIED DIMENSIONS ARE IN INCHES		DRAWN JOSE GONZALEZ	DATE 12/21/98	TEXAS INSTRUMENTS ATTLEBORO, MASSACHUSETTS 02703	KLIxon CONTROL PRODUCTS DIVISION
TOLERANCE ON FRACTIONS DECIMALS ANGLES		ENGINEER M. LAVADO	12/21/98		
±.015		APPROVED B. CAREY	12/21/98	TITLE 3TC7 PUSH-PULL TRIP-FREE CIRCUIT BREAKER ENVELOPE DRAWING	
MATERIAL		APPROVED C. PELLON	12/21/98		
		SIGNATURES ON FILE. REFER TO ELECTRONIC CHANGE NOTICE.		SIZE C	CODE IDENT NO. 82647
				3TC7	

D

C

B

A