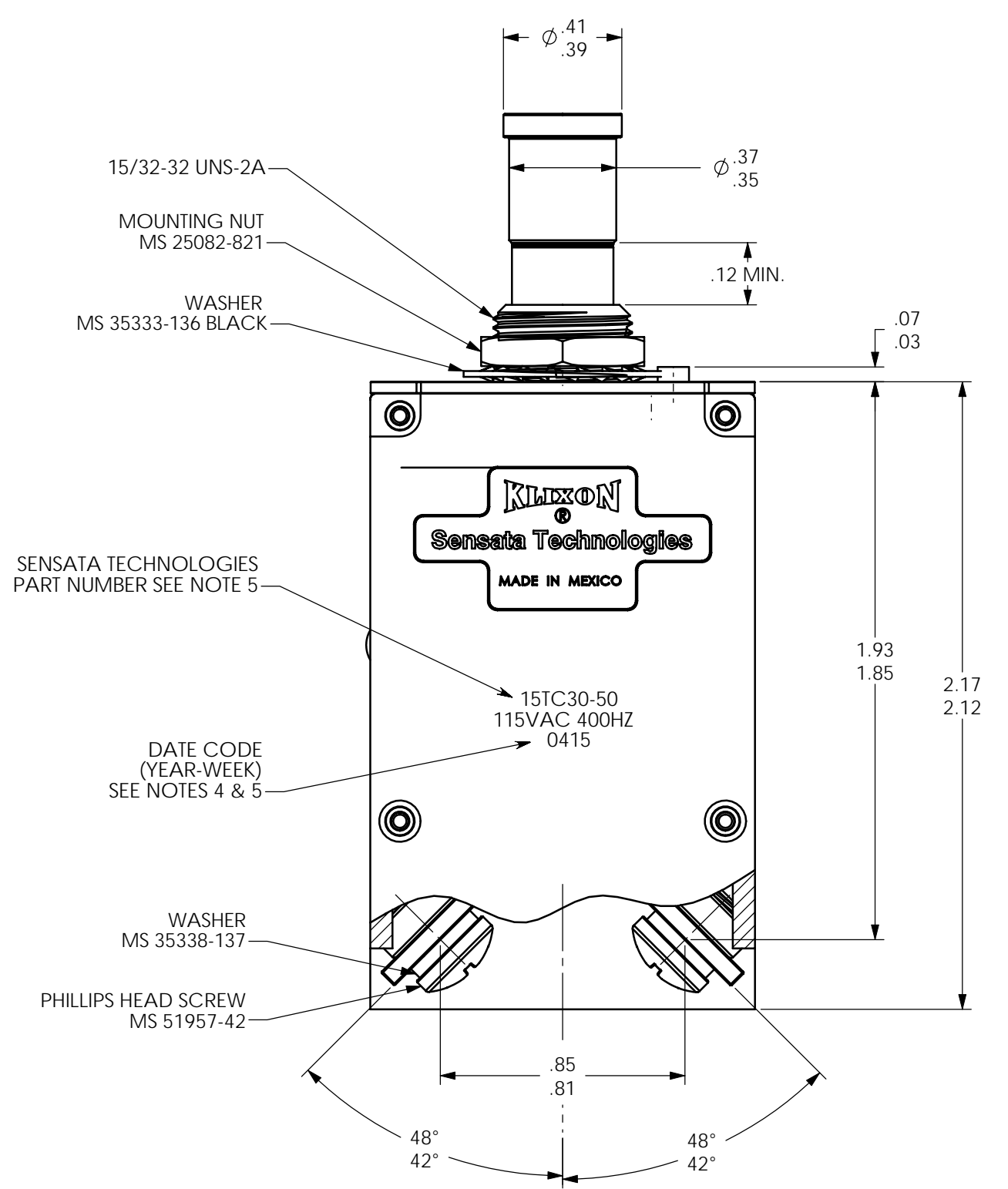


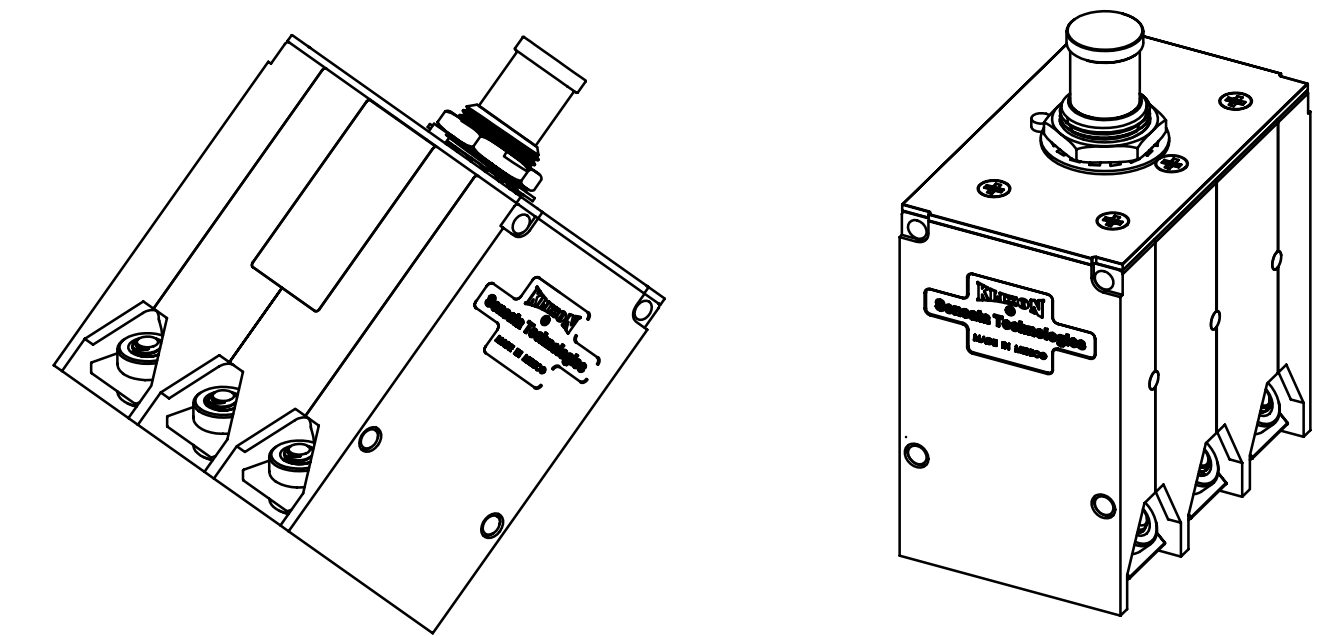
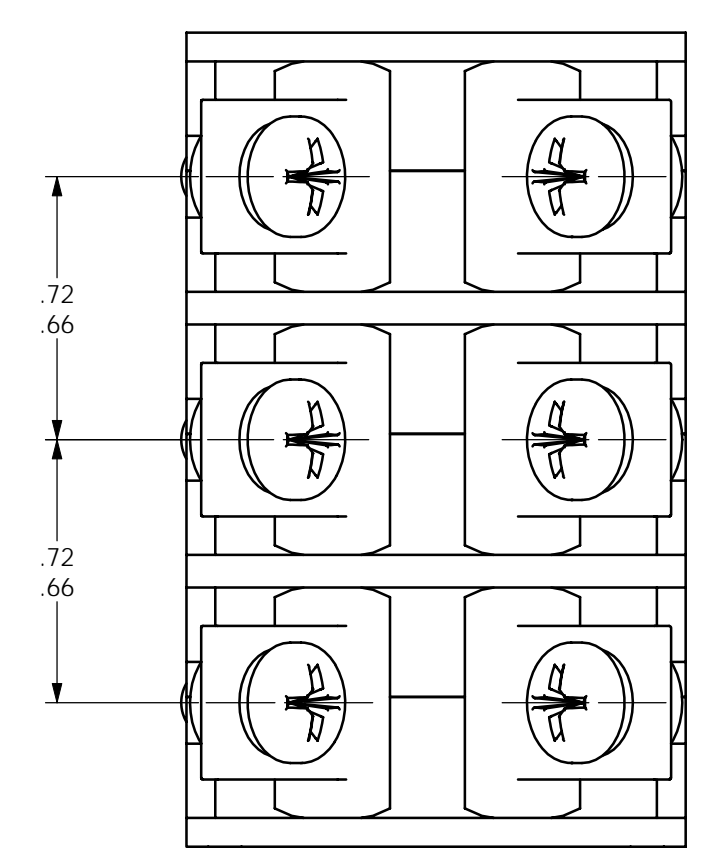
- NOTES:
1. EPOXY SURFACES ARE NON-DIMENSIONED. ENVELOPE DIMENSIONS DO NOT APPLY TO THESE EPOXY SURFACES.
 2. TERMINAL AND MOUNTING HARDWARE MAY BE PACKAGED RATHER THAN INSTALLED.
 3. COUNTRY OF ORIGIN IS SHOWN FOR ILLUSTRATION PURPOSES ONLY. COUNTRY OF ORIGIN WILL BE IDENTIFIED AS REQUIRED.
 4. DATE CODE PER 10588-285.
 5. MARK IN APPROXIMATE POSITION SHOWN IN BLACK INK PER 12506-70.
 6. VOLUME: 2.4859 CUBIC INCHES



PERFORMANCE CHARACTERISTICS

VIBRATION	CURVE 'J' OF EUROCAE ED-14B, 3 G'S, 2000 HZ				
MECHANICAL SHOCK	50 G'S				
CORROSION	SALT SPRAY 48 HOURS				
HUMIDITY	48 HOURS				
ENDURANCE:	115 VAC MECHANICAL	400 HZ INDUCTIVE NO LOAD	2500 CYCLES 5000 CYCLES		
SINGLE * OR THREE PHASE CALIBRATION:	20 AMP THRU 50 AMP				
	MIN. ULT. TRIP	MAX. ULT. TRIP	200% (SEC.)	500% (SEC.)	1000% (SEC.)
+23°C (+73°F)	110% RATING	145% RATING	10-70	0.15-5.2	0.05-1.3
+70°C (+158°F)	105% RATING	145% RATING			
-55°C (-67°F)	110% RATING	165% RATING			
SHORT CIRCUIT RESISTANCE:	20 AMP THRU 50 AMP	115 VAC, 400 HZ	1500 AMPS RMS		
OPERATIONAL FORCES:	PULL OUT 12 LBS. MAX. RESET 16 LBS. MAX.				
OPERATING ALTITUDE:	15,000 M (49,200 FT.)				
WEIGHT INCLUDING CONNECTION HARDWARE:	0.350 LBS. MAX.				
VOLTAGE DROP:	20 AMP	0.300 VOLTS MAX.			
	25 AMP	0.300 VOLTS MAX.			
	35 AMP	0.300 VOLTS MAX.			
	50 AMP	0.300 VOLTS MAX.			

* SINGLE PHASE MAXIMUM ULTIMATE TRIP VALUES APPLY WITH OTHER TWO PHASES CARRYING 100% OF RATED CURRENT.



FOR REFERENCE ONLY. CHECK LATEST REVISION BEFORE USE. PARIS MADE TO THIS PRINT MUST CONFORM TO E9898 REV. E		 529 PLEASANT STREET P.O. BOX 2964 ATLEBORO, MA 02703
DRAWN G. LAPATI DATE 11-OCT-2006	NEITHER THIS PRINT NOR THE INFORMATION CONTAINED HEREON IS TO BE USED AGAINST THE INTERESTS OF SENSATA TECHNOLOGIES OR AGAINST THE INTERESTS OF ANY OF ITS AFFILIATED COMPANIES OR WHOLLY OWNED SUBSIDIARIES	
ENGINEER B. BENTLEY DATE 11-OCT-2006	UNLESS OTHERWISE SPECIFIED DIMENSIONS ARE IN INCHES TOLERANCES DECIMALS ANGLES XX +.1 XX* +.1 XXX ±.05 XXX* ±.5*	TITLE 15TC CIRCUIT BREAKER PUSH PULL, TRIP FREE ENVELOPE DRAWING
APPROVED W. BLENKHORN DATE 11-OCT-2006	THIRD ANGLE PROJECTION DO NOT SCALE DRAWING	DWG NO. 15TC30 SCALE 1:1 [SOLIDWORKS] SHEET 1 OF 1
APPROVED P. BERG DATE 11-OCT-2006	SIZE D	REV. C