



TC4 Series Manual Reset & Auto Reset Motor protector

Features

- Manual reset & Auto reset protection .
- Operated by a snap action disc.
- Overheating and lock-rotor current protector
- 90 to 150°C operation temperature ratings .
- Variety body size & variety terminal type.

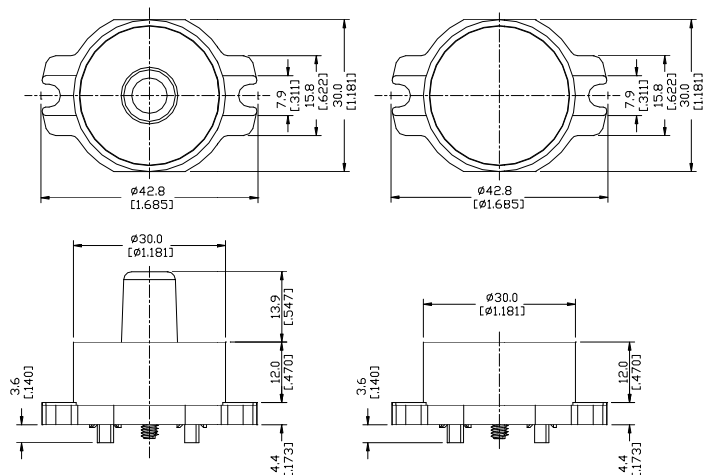
Technical data

Power Ratings	1/2HP~3HP
Voltage Rating	Max 250VAC
Operation temperature	90°C、105°C、120°C、135°C 150°C
Interrupt Capacity	Manual Reset:2000A/240VAC Auto Reset: 3500A/250VAC
Dielectric strength	1500VAC/1min
Insulation resistance	≥ 100 MΩ at 500VDC
Locked-Rotor Endurance	Over 2000 cycles operation
Operation Temp Tolerance	±5°C
Weight	Approx14~20g

Approval

Approval	File No.	Rated Temp Range
UL/cUL	E237597	90°C~150°C

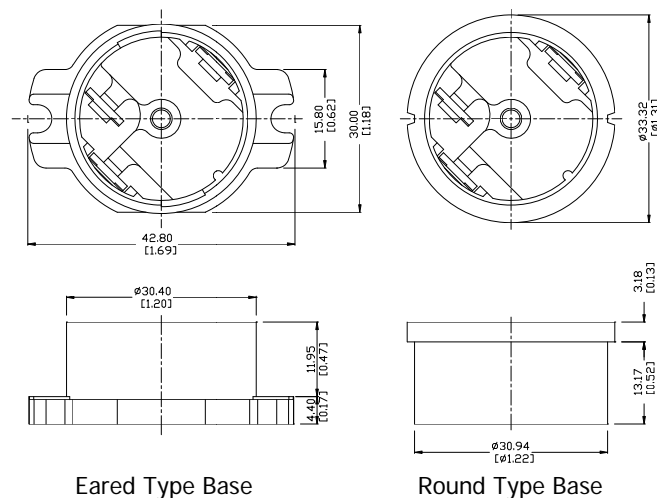
Outlook example:



Manual Reset
<Eared Type Base>

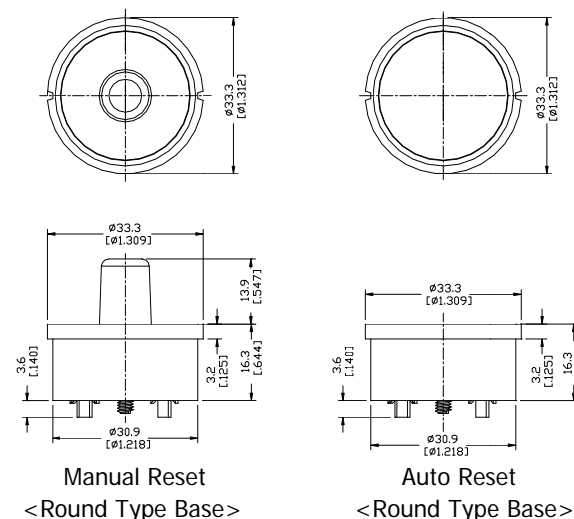
Auto Reset
<Eared Type Base>

Base Type:



Eared Type Base

Round Type Base



Manual Reset
<Round Type Base>

Auto Reset
<Round Type Base>

Ordering Information

Typical Part ▶ No. **TC4** **1** **E** **2** **20**

1. Model NO. : TC4

2. Actuation:

0=Manual Reset

1=Auto Reset

3. Base Type:

E= Eared

R= Round

4. Terminal Type:

1=3 Solder

2=3 Stub

3=3 Std Screw

5. Operating Temperature:

Manual Reset	Auto Reset
00=90±5°C	01=90±5°C
10=105±5°C	11=105±5°C
20=120±5°C	21=120±5°C
44=135±5°C	31=135±5°C
40=150±5°C	41=150±5°C

Note:

Terminal Type:

