

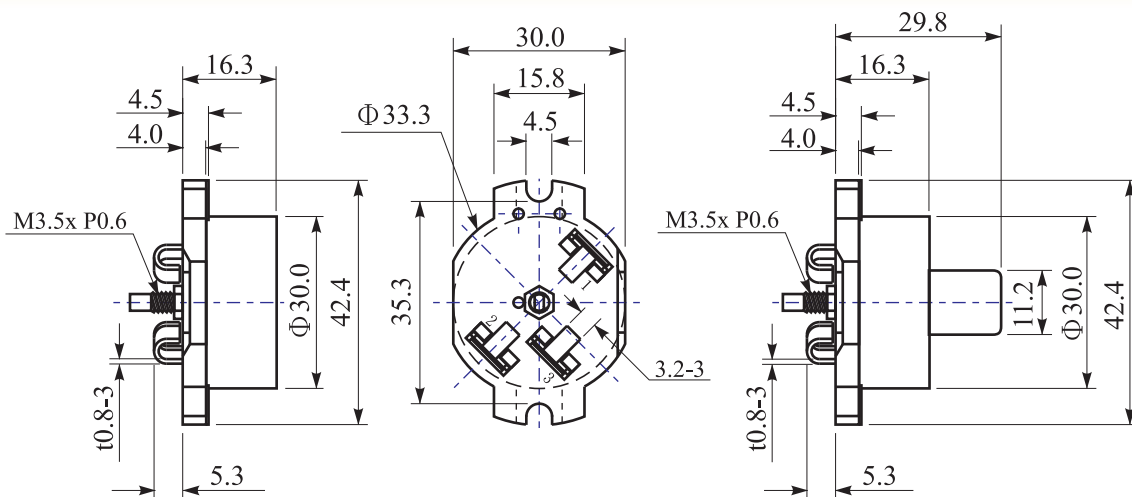
SERIES M-9005



M-9005Q,R



M-9005L,N



DIMENSION IN mm (tolerance ± 0.3 mm)

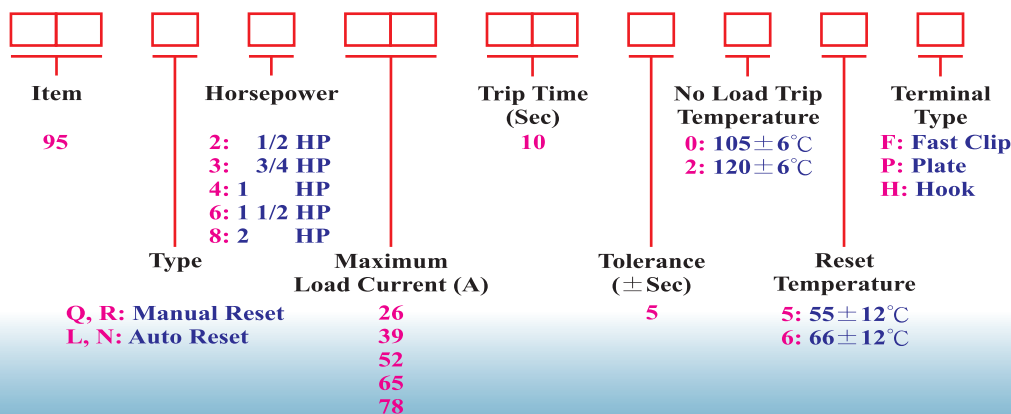
SPECIFICATIONS:

- ✧ STANDARD RATING : **1/2 HP ~ 2 HP**
- ✧ INPUT POWER : **125 VAC / 250 VAC**
- ✧ DIELECTRIC STRENGTH : **1000 VAC / 1 MIN**
- ✧ INSULATION RESISTANCE : **> 100 M Ω**
- ✧ ENDURANCE CYCLES : LOCK ROTOR MOTOR CURRENT/ **500 CYCLES. (M-9005Q,R)**
/2000 CYCLES. (M-9005L,N)
- ✧ CALIBRATION :
 - 40 $^{\circ}$ C - 100% OF SINGLE PHASE FULL LOAD CURRENT**
- CONTINUOUS CARRIED .
 - 40 $^{\circ}$ C - 156% OF SINGLE PHASE FULL LOAD CURRENT**
- TRIP WITHIN 30 MINUTES. (COMPARE WINDING TEMPERATURE) .
 - 40 $^{\circ}$ C - MAX CURRENT OF LOCKED MOTOR ROTOR**
- TRIP WITHIN 10 \pm 5 SECOND (OPTION) .

✧ APPROVALS :

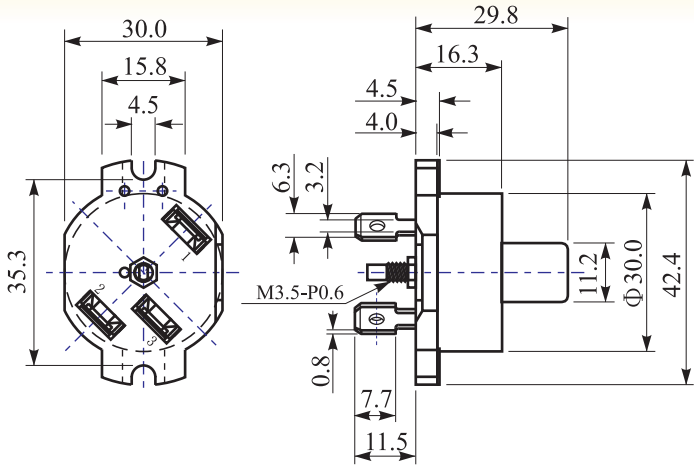
UL APPROVAL: 1/2 - 2 HP , 125 / 250 VAC , 105 $^{\circ}$ C - 120 $^{\circ}$ C . (File No.: E125871)

Spec. Horsepower	Single Phase Full Load Current		Limited Short Circuit Test Current	Locked Rotor Motor	
	125 V	250 V		Current	Trip Time
1/2 HP	9.8 A	4.9 A	200 A	26 A	5 ~ 15 Sec
3/4 HP	13.8 A	6.9 A	1000 A	39 A	5 ~ 15 Sec
1 HP	16.0 A	8.0 A	1000 A	52 A	5 ~ 15 Sec
1 1/2 HP	20.0 A	10.0 A	2000 A	65 A	5 ~ 15 Sec
2 HP	24.0 A	12.0 A	2000 A	78 A	5 ~ 15 Sec

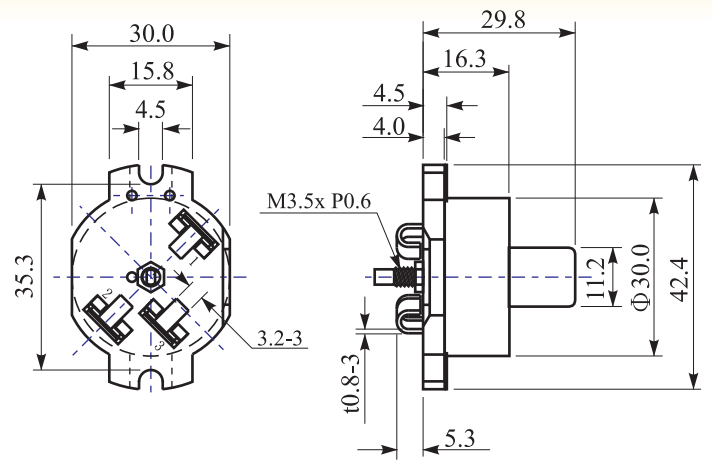




SERIES M-9005



Fast Clip Type



Hook Type

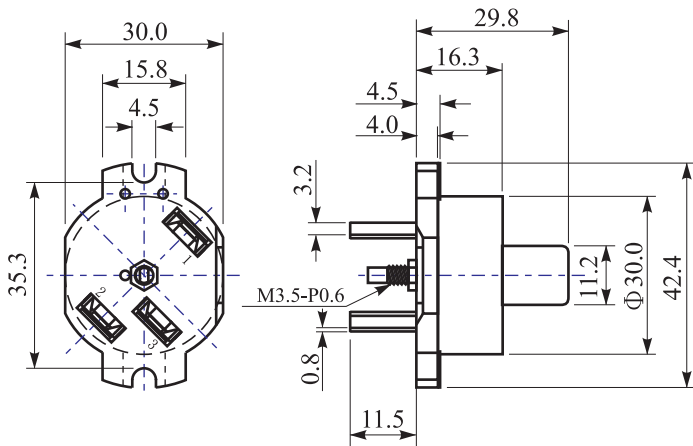
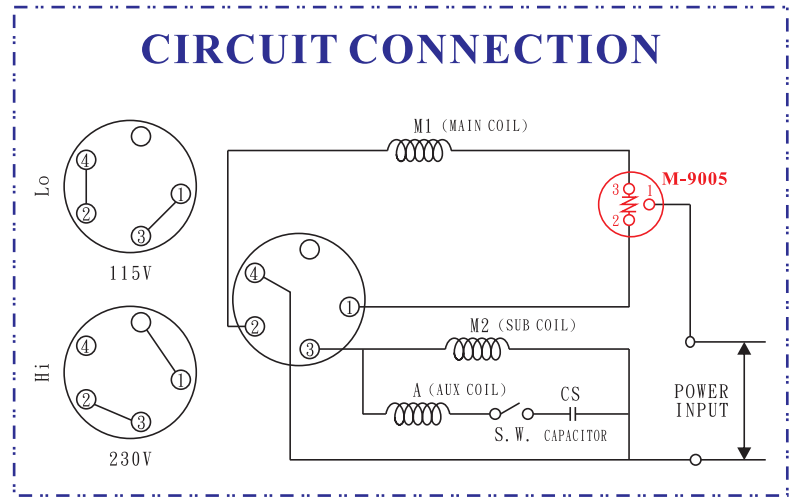
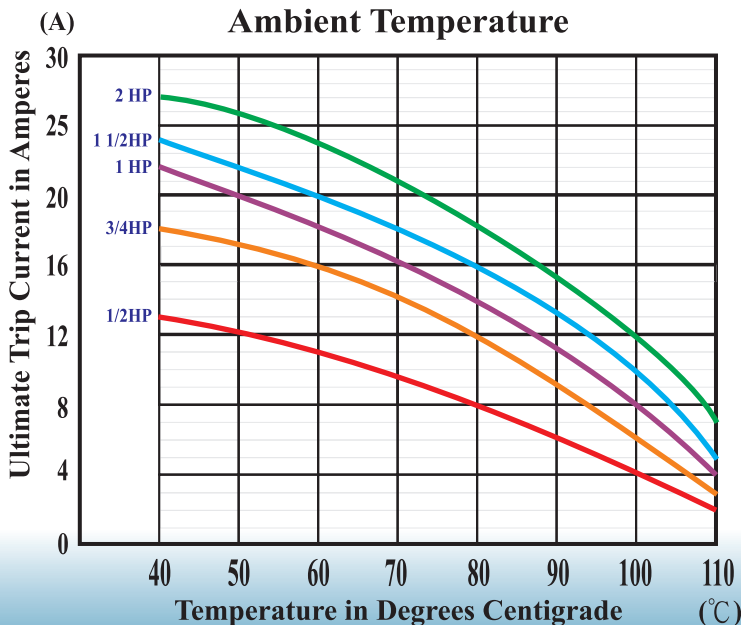


Plate Type

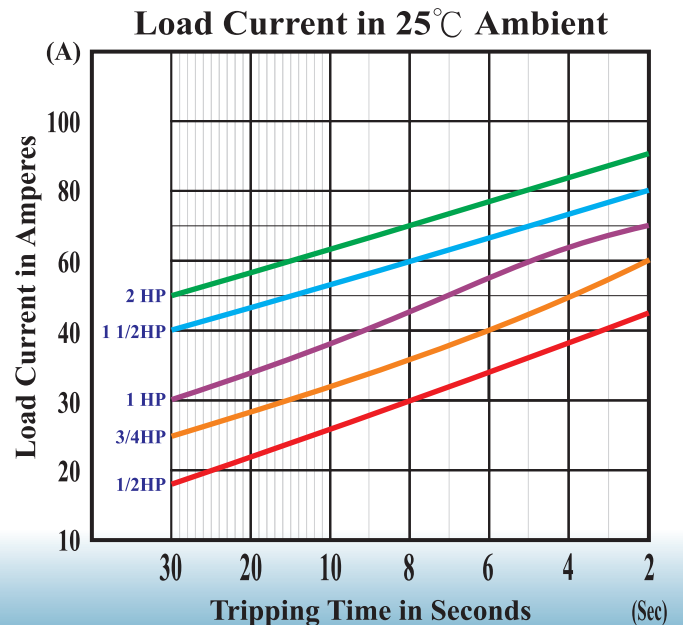


EXAMPLE OF MOTOR PROTECTOR PERFORMANCE CURVES

Average Ultimate Trip Current VS Ambient Temperature



Average First Cycle Tripping Time VS Load Current in 25°C Ambient



NO EXTRA NOTIFICATION FOR PRODUCT SCALE CHANGE